

High Pressure OEM Valves

Series 6140, 6180

Patent# 3,014,499

Features

- ▶ Original Shear-Seal® technology
- ▶ Low pressure drop
- ▶ Tolerates contaminants
- ▶ Spring return option
- ▶ Flexible design for OEM requirements

Applications

- ▶ Hydraulic presses
- ▶ Military equipment
- ▶ Paper mill controls
- ▶ Hydraulic pilot valves
- ▶ Railroad maintenance equipment
- ▶ Halon fill systems

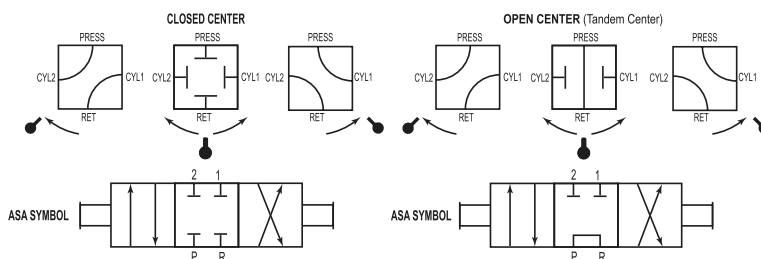


General Specifications*

Working Pressure:	Hydraulic fluid up to 3000 psi (206 bar)	Media Temperature Range:	-40° to +250°F (-40° to +121°C)
Flow Capacity, Cv:	See table	Wetted Material:	Hard anodized aluminum Brass Stainless steel Anodized aluminum Carbon steel Buna N, others available PTFE
Back Pressure:	Must not exceed 250 psi (17.2 Bar) at return port for satisfactory operation	Rotor:	
Pressure Drop:	14 psi (0.96 bar) at 20 ft/sec See Supplemental Guide for more detailed information	Pressure Seals:	
Proof Pressure:	1.5X times working pressure except at return port	Shaft:	
Burst Pressure:	2X times working pressure except at return port (see flow chart)	Body Housing:	
		Bearings:	
		Standard O-rings:	
		Back-up Rings:	

* See product configurator for additional options.

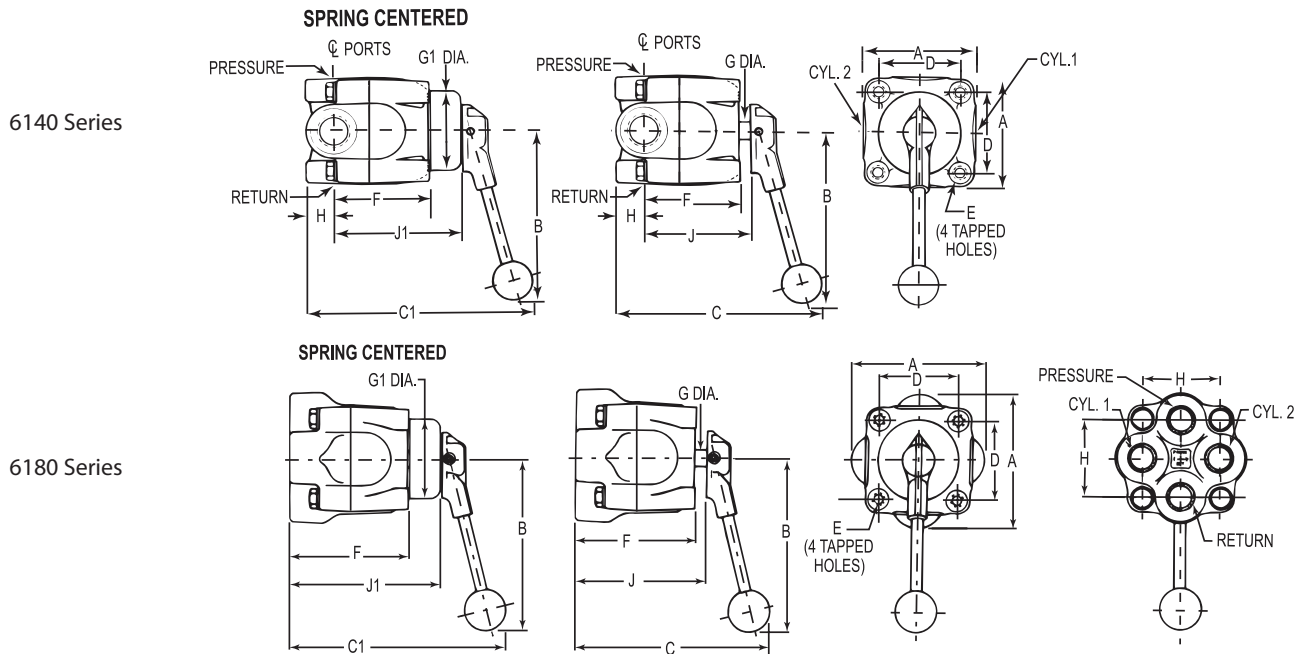
FLOW PATTERNS
(VIEWED FROM SHAFT END)



Main Valve Port Size	Flow Capacity (Approx.) Service: Oil			Min. Flow Passage Dia.	Cv Factor	Approx. Shipping Weight lbs (kgs)	Return Port Burst Rating
	20 ft/sec gpm (l/min)	40 ft/sec gpm (l/min)	60 ft/sec gpm (l/min)				
1/4" & 3/8"	5 (19)	10 (38)	Use Heavy Duty Valve	5/16"	1.56	1.7 (0.8)	3,000 psi (207 bar)
1/2" & 3/4"	14 (53)	28 (106)		17/32"	4.80	3.8 (1.7)	
** 1"	25 (95)	51 (190)		23/32"	9.20	7.6 (3.5)	2,000 psi (138 bar)

** 6140 Series only

Technical Drawings



6140 Series In-Line (side) Porting

Port Size NPT	A	B	C	C1	D	E	F	G Dia.	G1 Dia.	H	J	J1
1/4" & 3/8"	2.63 (66.8)	5.44 (138)	6.38 (161.9)	6.718 (170.6)	1.81(46.0)	5/16 - 18 NC	2.31(58.7)	0.44 (11.2)	1.91(48.5)	0.56 (14.2)	2.66 (67.6)	3.03 (77.0)
1/2" & 3/4"	3.5 (88.9)	5.44 (138)	7.37 (187)	7.93 (201)	2.56 (65.0)	3/8 - 16 NC	3.03 (77.0)	0.56 (14.2)	2.56 (65.0)	0.88 (22.4)	3.38 (85.9)	3.94 (100)
1"	4.5 (114)	8.44 (214)	8.16 (207)	9.03 (229.3)	3.31 (84.1)	1/2 - 13 NC	3.59 (91.2)	0.75 (19.1)	3.38 (86)	1.06 (26.9)	3.94 (100)	4.81 (122)

6180 Series Straight (bottom) Porting

Port Size NPT	A	B	C	C1	D	E	F	G Dia.	G1 Dia.	H	J	J1
1/4" & 3/8"	2.63 (66.8)	5.44 (138)	6.13 (156)	6.50 (165)	1.81(46.0)	5/16 - 18 NC	2.66 (67.6)	0.44 (11.2)	1.91(48.5)	1.50 (38.1)	3.00 (76.2)	3.38 (85.9)
1/2" & 3/4"	4.19 (106)	5.44 (138)	7.34 (186)	7.91 (201)	2.56 (65.0)	3/8 - 16 NC	3.88 (98.6)	0.56 (14.2)	2.56 (65.0)	2.50 (63.5)	4.22 (107)	4.78 (121)

Dimensions in inches (mm)

Product Configurator

Example: 614 2 R 3 H C 3

Series: 614 Regular (side) porting

Port Size: 2 3/8" NPT ports

Style: R Regular (side) porting (series 614)

Pressure: 3 3,000 psi

Working Media: H Hydraulic oil

Flow Pattern: C Closed center

Position: 3 3-position

Options: -A SAE Porting, -MC¹ Spring centering, -NF² Non-interflow (port size 1/4" and 3/8" NPT only)

See Supplemental Guide for complete list

1. For 1" ported pressure rating 2,000 psi. Not available on 1-1/2" ported valves.
2. When combined with -MC, pressure rating is 1,000 psi.

High Pressure OEM Manipulator Valves

Series 6900, 6940

Patent# 3,014,499

Features

- ▶ Original Shear-Seal® technology
- ▶ Low pressure drop
- ▶ Tolerates contaminants
- ▶ Spring return option
- ▶ Special flow pattern for OEM designs

Applications

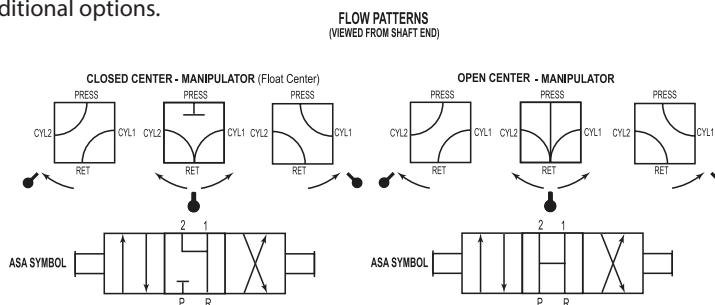
- ▶ Hydraulic presses
- ▶ Military equipment
- ▶ Paper mill controls
- ▶ Pipe forming
- ▶ Railroad maintenance equipment



General Specifications*

Working Pressure:	Hydraulic fluid up to 3000 psi (206 bar)	Media Temperature Range:	-40° to +250°F (-40° to +121°C)
Flow Capacity, Cv:	See table	Wetted Material:	
Back Pressure:	Must not exceed 250 psi (17.2 Bar) at return port for satisfactory operation	Rotor:	Hard anodized aluminum
Pressure Drop:	14 psi (0.96 bar) at 20 ft/sec See Supplemental Guide for more detailed information	Pressure Seals:	Brass
Proof Pressure:	1-1/2 times working pressure except at return port	Shaft:	Stainless steel
Burst Pressure:	2-1/2 times working pressure except at return port (3000 psi [206 bar])	Body Housing:	Anodized aluminum
		Bearings:	Carbon steel
		Standard O-rings:	Buna N, others available
		Back-up Rings:	Teflon®

* See product configurator for additional options.



Main Valve Port Size	Flow Capacity (Approx.) Service: Oil			Min. Flow Passage Dia.	Cv Factor	Approx. Shipping Weight lbs (kgs)	Return Port Burst Rating
	20 ft/sec gpm (l/min)	40 ft/sec gpm (l/min)	60 ft/sec gpm (l/min)				
1/4" & 3/8"	5 (19)	10 (38)	Use Heavy Duty Valve	5/16"	1.56	1.7 (0.8)	3,000 psi (207 bar)
1/2" & 3/4"	14 (53)	28 (106)		17/32"	4.80	3.8 (1.7)	

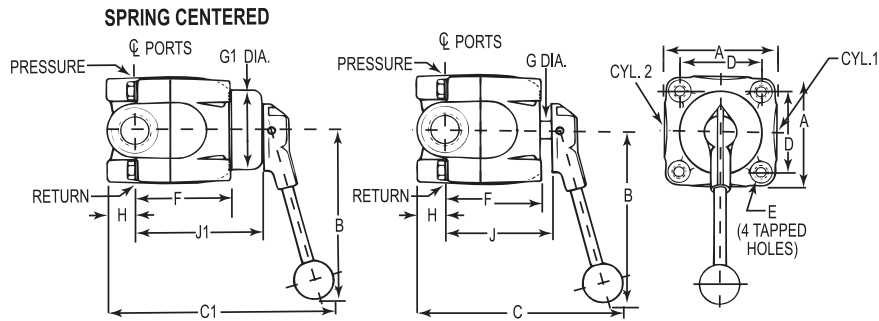
**6900 Series only

High Pressure OEM Manipulator Valves

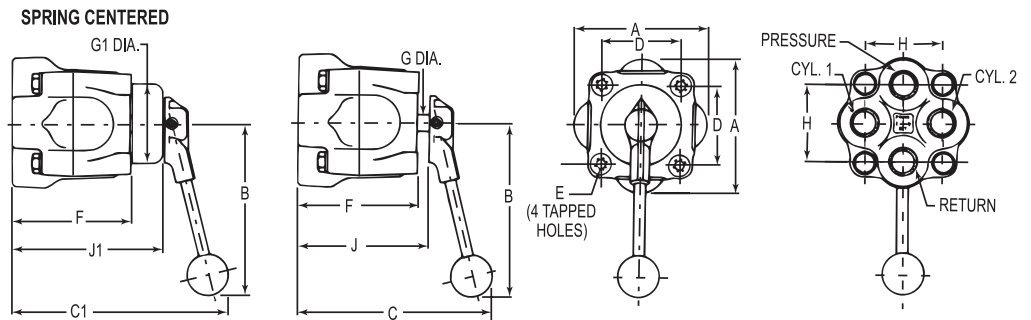
Series 6900, 6940

Technical Drawings

6900 Series



6940 Series



6900 Series In-Line (side) Porting

Port Size NPT	A	B	C	C1	D	E	F	G Dia.	G1 Dia.	H	J	J1
1/4" & 3/8"	2.63 (66.8)	5.44 (138)	6.38 (161.9)	6.718 (170.6)	1.81(46.0)	5/16 - 18 NC	2.31(58.7)	0.44 (11.2)	1.91(48.5)	0.56 (14.2)	2.66 (67.6)	3.03 (77.0)
1/2" & 3/4"	3.5 (88.9)	5.44 (138)	7.37 (187)	7.93 (201)	2.56 (65.0)	3/8 - 16 NC	3.03 (77.0)	0.56 (14.2)	2.56 (65.0)	0.88 (22.4)	3.38 (85.9)	3.94 (100)

6940 Series Straight (bottom) Porting

Port Size NPT	A	B	C	C1	D	E	F	G Dia.	G1 Dia.	H	J	J1
1/4" & 3/8"	2.63 (66.8)	5.44 (138)	6.13 (156)	6.50 (165)	1.81(46.0)	5/16 - 18 NC	2.66 (67.6)	0.44 (11.2)	1.91(48.5)	1.50 (38.1)	3.00 (76.2)	3.38 (85.9)
1/2" & 3/4"	4.19 (106)	5.44 (138)	7.34 (186)	7.91 (201)	2.56 (65.0)	3/8 - 16 NC	3.88 (98.6)	0.56 (14.2)	2.56 (65.0)	2.50 (63.5)	4.22 (107)	4.78 (121)

Dimensions in inches (mm)

Product Configurator

Example: 690 2 R 3 H C 3

Series

- 690 Regular (side) porting, manipulator flow pattern
- 694 Straight (bottom) porting, manipulator flow pattern

Port Size

- 1 1/4" NPT ports
- 2 3/8" NPT ports
- 3 1/2" NPT ports
- 4 3/4" NPT ports

Style

- R Regular (side) porting (Series 690)
- S Straight (bottom) porting (Series 694)

Pressure
3 3,000 psi

Working Media
H Hydraulic oil

Flow Pattern
C Closed center manipulator (float center)
O Open center (tandem center)

Position
3 3-position

Options

-Zxx See Supplemental Guide for complete list

Options

- A SAE Porting
- MC¹ Spring centering
- NF² Non-interflow (port size 1/4" and 3/8" NPT only)

1. For 1" ported pressure rating 2,000 psi. Not available on 1-1/2" ported valves.
2. When combined with -MC, pressure rating is 1,000 psi.